



GEARHEADS(POWERFUL TYPE) Frame size 90mm sq. (3.54 in. sq.)

BALL BEARING TYPE

▶ **RATED TORQUE OF GEARHEAD**

MODEL	Speed(rpm)	500	300	200	120	100	60	50	30	20	15	10	9	6	5	3	2	1	
	Ratio	50Hz	3	5	7.5	12.5	15	25	30	50	75	100	150	166.7	250	300	500	750	1500
L9VK□B	kg-cm	22.8	38.1	57.1	85.8	102.9	155.1	186.1	200	200	200	200	200	200	200	200	200	200	200
L9WK□B	N-m	2.24	3.73	5.60	8.41	10.09	15.20	18.24	19.60	19.60	19.60	19.60	19.60	19.60	19.60	19.60	19.60	19.60	19.60
L9V10D(DECIMAL)	oz-in	317	529	793	1191	1429	2154	2585	2777	2777	2777	2777	2777	2777	2777	2777	2777	2777	2777

With Decimal Gearhead

- * The normal torque is that the motor and gearhead are directly coupled.
- * Insert the denominator of reduction ratio in □ of gearhead model name.
- * Actual rotation speed is 2~15% less than synchronous speed.
- * ■Color indicates that the rotation of gearhead shaft is in opposite direction as output shaft of motor.

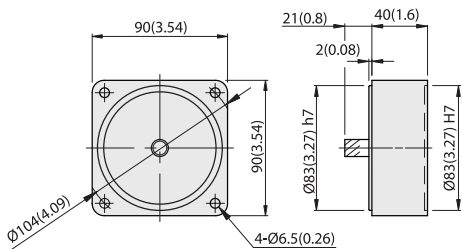
TERMINAL BOX TYPE
REVERSIBLE MOTORS

DIMENSIONS

Unit : mm(inch)

DECIMAL GEARHEAD

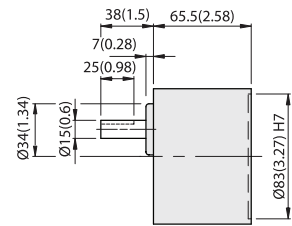
L9V10D



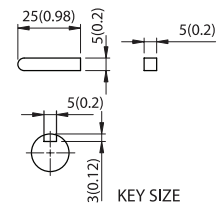
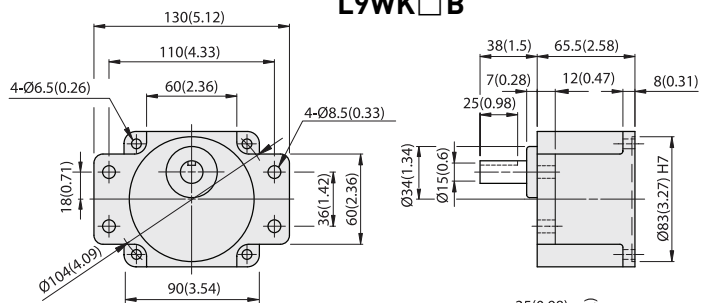
WEIGHT 0.6kg (1.3 lb)

GEARHEAD

L9VK□B



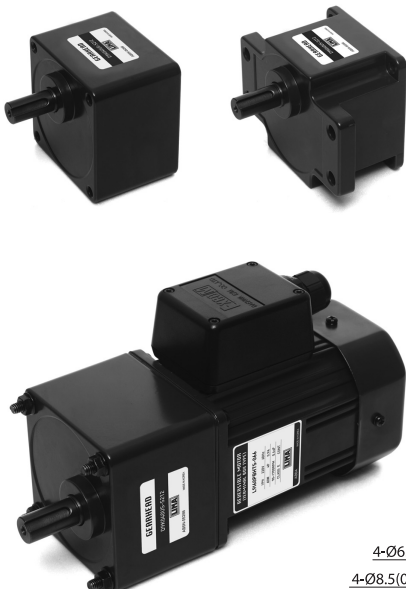
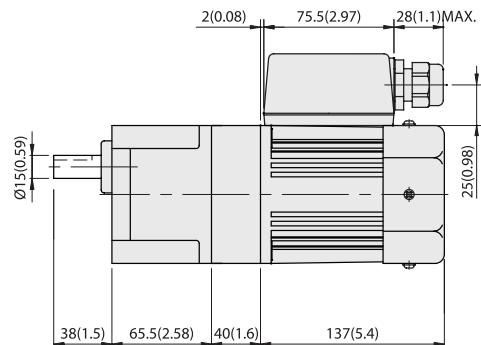
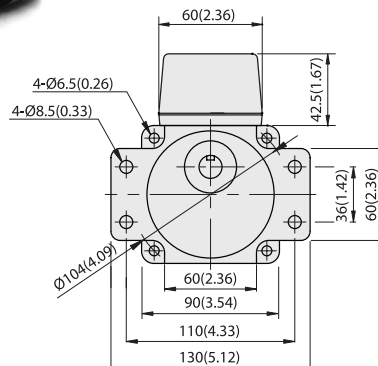
L9WK□B



KEY SIZE

MODEL	GEAR RATIO	WEIGHT		BOLT
		kg	lb	
L9VK□B	1/3~1/200	1.5	3.3	M6x95
L9WK□B	1/3~1/200	1.6	3.5	M6xL25

L9WK□B + L9V10D + L9R120P□HTB





GEARHEADS(ULTRA POWERFUL TYPE) Frame size 90mm sq. (3.54 in. sq.)

BALL BEARING TYPE

▶ **RATED TORQUE OF GEARHEAD**

MODEL	Speed(rpm)	500	300	200	120	100	60	50	30	20	15	10	9	6	5	3	2	1
	Ratio	50Hz	3	5	7.5	12.5	15	25	30	50	75	100	150	166.7	250	300	500	750
	60Hz	3.6	6	9	15	18	30	36	60	90	120	180	200	300	360	600	900	1800
L9UK□B L9V10D(DECIMAL)	kg-cm	22.8	38.1	57.1	85.8	102.9	155.1	186.1	300	300	300	300	300	300	300	300	300	300
	N-m	2.24	3.73	5.60	8.41	10.09	15.20	18.24	29.40	29.40	29.40	29.40	29.40	29.40	29.40	29.40	29.40	29.40
	oz-in	317	529	793	1191	1429	2154	2585	4166	4166	4166	4166	4166	4166	4166	4166	4166	4166

With Decimal Gearhead

- * The normal torque is that the motor and gearhead are directly coupled.
- * Insert the denominator of reduction ratio in □ of gearhead model name.
- * Actual rotation speed is 2~15% less than synchronous speed.
- * Color indicates that the rotation of gearhead shaft is in opposite direction as output shaft of motor.

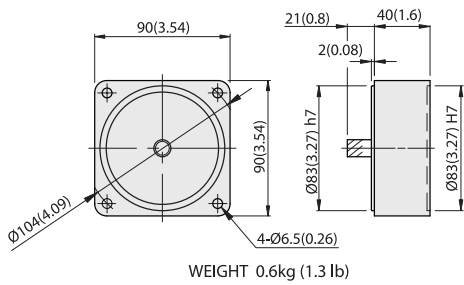
TERMINAL BOX TYPE
REVERSIBLE MOTORS

DIMENSIONS

Unit : mm(inch)

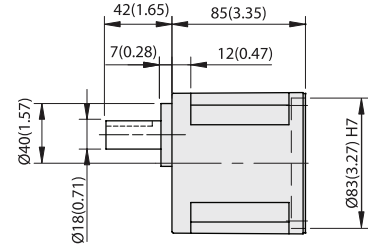
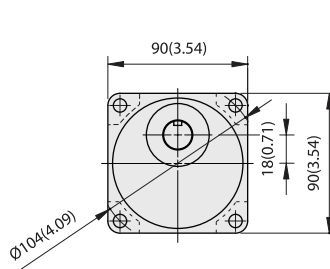
DECIMAL GEARHEAD

L9V10D

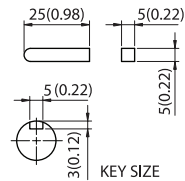


GEARHEAD

L9UK□B



MODEL	GEAR RATIO	WEIGHT		BOLT
		kg	lb	
L9UK□B	1/3~1/200	1.95	4.3	M6xL20



L9UK□B + L9R120P□HTB

